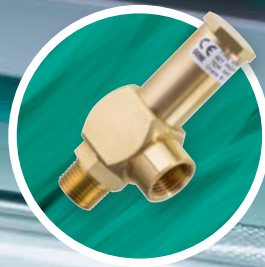
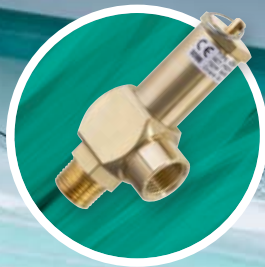
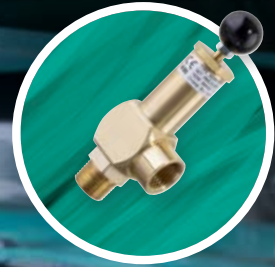


Wade™

Air Valves



OUR GENIUS IS FITTINGS

PART NUMBERING SYSTEM

An explanation of the Wade part numbering system:

Series; 6000, 6100, 6200, 6300 & 6500 Safety Relief Valves

Wade Safety Relief Valves can be made available for set pressures within a range from 1.8 Bar up to 20.1 Bar. The valves can be assembled with a choice of nine different springs, each of which is suitable for a particular setting within that range. The code for each of these springs and their individual setting range is confirmed in the table on the following page.

The correct Wade Part Number will need to contain coding confirming:



A) The Series Type. For example; '6100'. Note that; the 6300 series is supplied 'degreased' for Oxygen duty. However, if valves within series, 6000, 6100, 6200 or 6500, are required 'degreased', the letter 'D' must be included after the four digits of the series type of the Part Number. For example; '6100D'

B) The Male threaded inlet connection size. For example; '06' indicating 1/4" BSP Taper. The codes for each thread size are confirmed in the table below.

BSP Taper Male Inlet Size	Code
1/4"	06
3/8"	10
1/2"	15
3/4"	20
1"	25

C) The letter code for the spring. For example; 'D', 'E', 'F', 'G' etc.

D) The set pressure. For example; '5.5' indicating a set pressure of 5.5 Bar.

Spring Range in Bar	Spring Code	Spring Colour
1.8 to 2.5	D	BLUE
2.5 to 3.4	E	GREEN
3.4 to 4.7	F	BROWN
4.7 to 6.5	G	YELLOW
6.5 to 9.0	H	WHITE
9.0 to 12.5	J	BLACK
12.5 to 14.6	K	PURPLE/RED
14.6 to 17.2	L	PURPLE/BLUE
17.2 to 20.1	M	PURPLE/GREEN

To understand how this works, refer to the examples and descriptions below;



Description: Series 6000, 1/4" BSP Taper set at 11.0 Bar



Description: Series 6000, 1/4" BSP Taper set at 11.0 Bar, Degreased



Description: Series 6100, 1" BSP Taper set at 5.5 Bar



Description: Series 6100, 1" BSP Taper set at 5.5 Bar, Degreased

Every effort has been made to ensure that the information contained in this publication is accurate at the time of publishing. Wade assumes no responsibility or liability for typographical errors or omissions or for any misinterpretation of the information within the publication and reserves the right to change without notice.

SERIES 6000 SAFETY RELIEF VALVE

Atmospheric Discharge Complete with Lifting 'Pull Ring' Easing Gear

SUITABLE FOR AIR AND INERT GAS APPLICATIONS

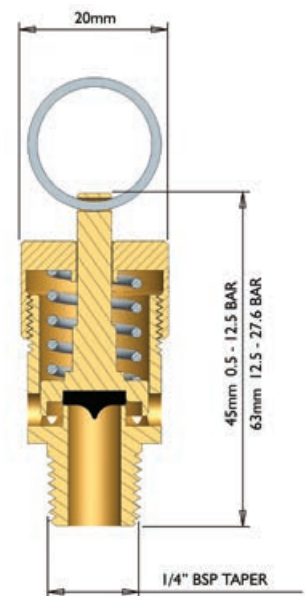
The Series 6000, 1/4" BSP taper safety relief valve with atmospheric discharge and pull ring easing gear is used extensively on compressed air cylinders and pressure vessels. Fitted with a silicone rubber seat this valve is also used on small dental or hospital sterilising equipment.

FEATURES & BENEFITS

- Soft valve washer for 'bubble tight' seal
- High performance
- Pressure range 1.8 BarG to 20.1 BarG
- Size: 1/4" BSP taper male Inlet
- Atmospheric discharge
- Valve washers to suit air and inert gases
- Brass construction with stainless steel springs
- Valves can be supplied degreased for oxygen service



DIMENSIONAL DRAWING



CAPACITIES

Air at 15°C in Std. Litres / sec at 10% overpressure

Size	BarG	2.0	5.0	8.0	9.0	11.0	13.0	15.0	17.0
1/4"	L/sec	15	36	58	67	84	96	110	124

SPECIFICATION

A High Lift Safety Relief Valve with atmospheric discharge suitable for air and inert gas applications.

The flow is de-rated and measured in accordance with BS EN ISO 4126-1: 2004.

The valve re-seats by minus 10% of set pressure.

Maximum Set Pressure: 20.1 Bar

Minimum Set Pressure: 1.8 Bar

Maximum Temperature: 180°C

Minimum Temperature: -15°C

All Wade Safety Valves are PED approved and CE marked.

Every effort has been made to ensure that the information contained in this publication is accurate at the time of publishing. Wade assumes no responsibility or liability for typographical errors or omissions or for any misinterpretation of the information within the publication and reserves the right to change without notice.

SERIES 6100 SAFETY RELIEF VALVE

Atmospheric Discharge Complete with Lifting 'Knob' Easing Gear

SUITABLE FOR AIR AND INERT GAS APPLICATIONS

The Series 6100, 1/4" to 1" BSP Taper safety relief valve with atmospheric discharge and lifting knob easing gear is used primarily on compressed air supply systems, compressor sets and pressure vessels. It is fitted to systems to prevent a safe working pressure being exceeded.



FEATURES & BENEFITS

- Soft valve washer for 'bubble tight' seal
- High performance
- Pressure range 1.8 BarG To 20.1 BarG
- Size range: 1/4", 3/8", 1/2", 3/4" & 1" BSP taper male threaded inlet connections
- Atmospheric discharge
- Valve washers to suit air and inert gases
- Brass construction with stainless steel springs
- Valves can be supplied degreased for oxygen service and lead wire sealed

DIMENSIONS

Valve Size	1/4" (DN06)	3/8" (DN10)	1/2" (DN15)	3/4" (DN20)	1" (DN25)
A	15	15	15	18	21
B	88	88	88	90	97
C	33	33	33	33	33
BI	103	103	103	120	135

Dimensions in mm

CAPACITIES

Air at 15°C in Std. Litres / sec at 10% overpressure

Inlet Size	BarG	2.0	5.0	8.0	9.0	11.0	13.0	15.0	17.0
1/4", 3/8" & 1/2"	L/sec	20	40	60	67	81	94	108	121
3/4"	L/sec	29	60	90	100	120	140	161	181
1"	L/sec	48	97	146	162	195	227	260	293

SPECIFICATION

A High Lift Safety Relief Valve with atmospheric discharge suitable for air and inert gas applications.

The flow is de-rated and measured in accordance with BS EN ISO 4126-1: 2004.

The valve re-seats by minus 10% of set pressure.

Maximum Set Pressure: 20.1 Bar

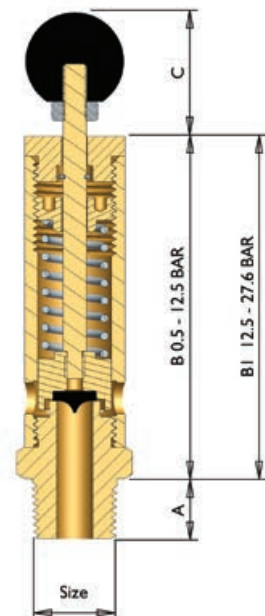
Minimum Set Pressure: 1.8 Bar

Maximum Temperature: 180°C

Minimum Temperature: -15°C

All Wade Safety Valves are PED approved and CE marked.

DIMENSIONAL DRAWING



Every effort has been made to ensure that the information contained in this publication is accurate at the time of publishing. Wade assumes no responsibility or liability for typographical errors or omissions or for any misinterpretation of the information within the publication and reserves the right to change without notice.

SERIES 6200 SAFETY RELIEF VALVE

Side Outlet Discharge Complete with Lifting 'Knob' Easing Gear

SUITABLE FOR AIR AND INERT GAS APPLICATIONS

The Series 6200, 1/2" to 1" BSP Taper safety relief valve with side outlet discharge and lifting knob easing gear is used primarily on compressed air supply systems, compressor sets and pressure vessels, to prevent a safe working pressure being exceeded. This valve is also used on medical air gases. If a sealed top is required, the same valve is available as Wade Series 6500.

FEATURES & BENEFITS

- Soft valve washer for 'bubble tight' seal
- High performance
- Pressure range 1.8 BarG to 20.1 BarG
- Size range: 1/2", 3/4" & 1" BSP taper male threaded inlet connections with BSP parallel female threaded side outlet connections
- Side outlet discharge
- Valve washers to suit air and inert gases
- Brass construction with stainless steel springs

DIMENSIONS

Valve Size	1/2" (DN15)	3/4" (DN20)	1" (DN25)
A	15	18	21
B	88	90	97
C	33	33	33
BI	103	120	135
E	40	48.5	58.5
F	30.5	36	40

Dimensions in mm

CAPACITIES

Air at 15°C in Std. Litres / sec at 10% overpressure

Inlet Size	BarG	2.0	5.0	8.0	9.0	11.0	13.0	15.0	17.0
1/2"	L/sec	20	40	60	67	81	94	108	121
3/4"	L/sec	29	60	90	100	120	140	161	181
1"	L/sec	48	97	146	162	195	227	260	293

SPECIFICATION

A High Lift Safety Relief Valve with side outlet discharge suitable for air and inert gas applications.

The flow is de-rated and measured in accordance with BS EN ISO 4126-1: 2004.

The valve re-seats by minus 10% of set pressure.

Maximum Set Pressure: 20.1 Bar

Minimum Set Pressure: 1.8 Bar

Maximum Temperature: 180°C

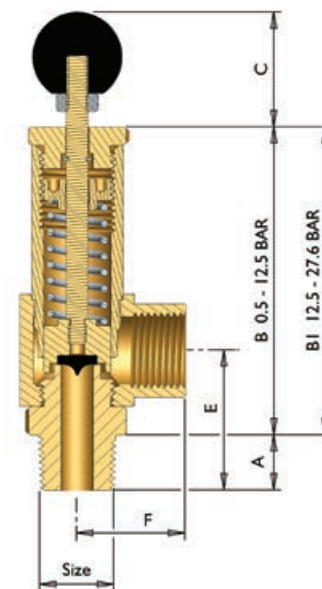
Minimum Temperature: -15°C

All Wade Safety Valves are PED approved and CE marked

Every effort has been made to ensure that the information contained in this publication is accurate at the time of publishing. Wade assumes no responsibility or liability for typographical errors or omissions or for any misinterpretation of the information within the publication and reserves the right to change without notice.



DIMENSIONAL DRAWING



SERIES 6300 SAFETY RELIEF VALVE

For Oxygen Duty Side Outlet Discharge complete with Lifting 'Pull Ring' Easing Gear

SUITABLE FOR AIR AND INERT GAS APPLICATIONS

The Series 6300, 1/2", 3/4" and 1" BSP Taper safety relief valves with side outlet discharge, are similar to the Series 6200 but with Pull Ring easing gear instead of Knob. They are de-greased for Oxygen duty.

FEATURES & BENEFITS

- Soft valve washer for 'bubble tight' seal
- High performance
- Pressure range 1.8 BarG to 20.1 BarG
- Size range: 1/2", 3/4" & 1" BSP taper male threaded inlet connections with BSP parallel female threaded side outlet connections
- Side outlet discharge
- Valve washers to suit air and inert gases
- Brass construction with stainless steel springs
- Degreased for oxygen duty

DIMENSIONS

Valve Size	1/2" (DN15)	3/4" (DN20)	1" (DN25)
A	15	18	21
B	88	90	97
C	33	33	33
BI	103	120	135
E	40	48.5	58.5
F	30.5	36	40

Dimensions in mm

CAPACITIES

Air at 15°C in Std. Litres / sec at 10% overpressure

Inlet Size	BarG	2.0	5.0	8.0	9.0	11.0	13.0	15.0	17.0
1/2"	L/sec	20	40	60	67	81	94	108	121
3/4"	L/sec	29	60	90	100	120	140	161	181
1"	L/sec	48	97	146	162	195	227	260	293

SPECIFICATION

A High Lift Safety Relief Valve with side outlet discharge suitable for air, inert gas and oxygen duty applications.

The flow is de-rated and measured in accordance with BS EN ISO 4126-1: 2004.

The valve re-seats by minus 10% of set pressure.

Maximum Set Pressure: 20.1 Bar

Minimum Set Pressure: 1.8 Bar

Maximum Temperature: 180°C

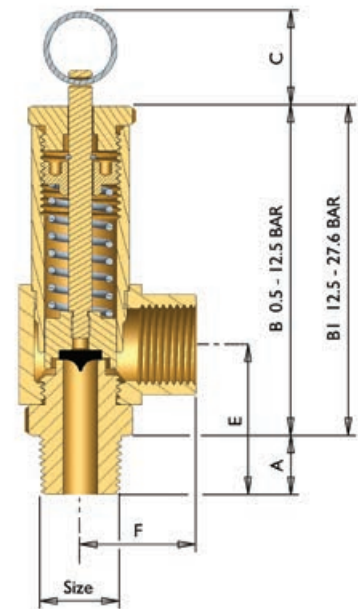
Minimum Temperature: -15°C

All Wade Safety Valves are PED approved and CE marked

Every effort has been made to ensure that the information contained in this publication is accurate at the time of publishing. Wade assumes no responsibility or liability for typographical errors or omissions or for any misinterpretation of the information within the publication and reserves the right to change without notice.



DIMENSIONAL DRAWING



SERIES 6500 SAFETY RELIEF VALVE

Side Outlet Discharge Complete with Sealed Cover

SUITABLE FOR AIR AND INERT GAS APPLICATIONS

The Series 6500, 1/2", 3/4" and 1" BSP Taper safety relief valves with side outlet discharge and sealed cover are used primarily on compressed air supply systems, compressor sets and pressure vessels, to prevent a safe working pressure being exceeded. These valves are also used on medical air gases. If lifting knob easing gear is required, the same valve is available as Wade Series 6200.

FEATURES & BENEFITS

- Soft valve washer for 'bubble tight' seal
- High performance
- Pressure range 1.8 BarG to 20.1 BarG
- Size range: 1/2", 3/4" & 1" BSP taper male threaded inlet connections with BSP parallel female threaded side outlet connections. Note that; 1/2" male x 3/4" female & 3/4" male x 1" female options are available on request.
- Side outlet discharge
- Valve washers to suit air and inert gases
- Brass construction with stainless steel springs
- Valves can be supplied degreased for oxygen service and lead wire sealed.

DIMENSIONS

Valve Size	1/2" (DN15)	3/4" (DN20)	1" (DN25)
A	15	18	21
B	88	90	97
BI	103	120	135
D	40	48.5	58.5
F	30.5	36	40

Dimensions in mm

CAPACITIES

Air at 15°C in Std. Litres / sec at 10% overpressure

Inlet Size	BarG	2.0	5.0	8.0	9.0	11.0	13.0	15.0	17.0
1/2"	L/sec	20	40	60	67	81	94	108	121
3/4"	L/sec	29	60	90	100	120	140	161	181
1"	L/sec	48	97	146	162	195	227	260	293

SPECIFICATION

A High Lift Safety Relief Valve with side outlet discharge suitable for air and inert gas applications.

The flow is de-rated and measured in accordance with BS EN ISO 4126-1: 2004.

The valve re-seats by minus 10% of set pressure.

Every effort has been made to ensure that the information contained in this publication is accurate at the time of publishing. Wade assumes no responsibility or liability for typographical errors or omissions or for any misinterpretation of the information within the publication and reserves the right to change without notice.

Maximum Set Pressure: 20.1 Bar

Minimum Set Pressure: 1.8 Bar

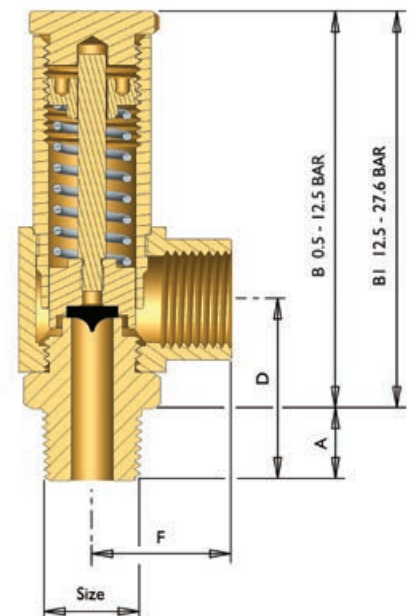
Maximum Temperature: 180°C

Minimum Temperature: -15°C

All Wade Safety Valves are PED approved and CE marked.



DIMENSIONAL DRAWING





To visit our Video Library go to:
www.youtube.com/user/CraneBSU



Wade™

CRANE HOUSE, EPSILON TERRACE
WEST ROAD, IPSWICH
SUFFOLK, IP3 9FJ,
UNITED KINGDOM
TELEPHONE: +44 (0)1473 277460
FAX: +44 (0)1473 277411
EMAIL: wadesales@cranebsu.com

www.wadefittings.com



FM311
ISO 9001

- Designed and manufactured under quality management systems in accordance with BS EN ISO 9001-2008

Every effort has been made to ensure that the information contained in this publication is accurate at the time of publishing. Wade assumes no responsibility or liability for typographical errors or omissions or for any misinterpretation of the information within this publication and reserves the right to change without notice. We hope that our communications have an impact on you, but not on the environment. We have taken steps to ensure this leaflet is printed on FSC material and the paper is made by a totally chlorine free process.

W_AVPD_07_2016